



The **MULTIMISTER** is designed to suppress airborne dust particles with high-pressure water mist, creating fine water droplets via special misting nozzles. Dusty areas can be reached either with an adjustable height mast, or with a misting nozzle hose line that can be positioned at the source of the issue.

MMT PERFORMANCE

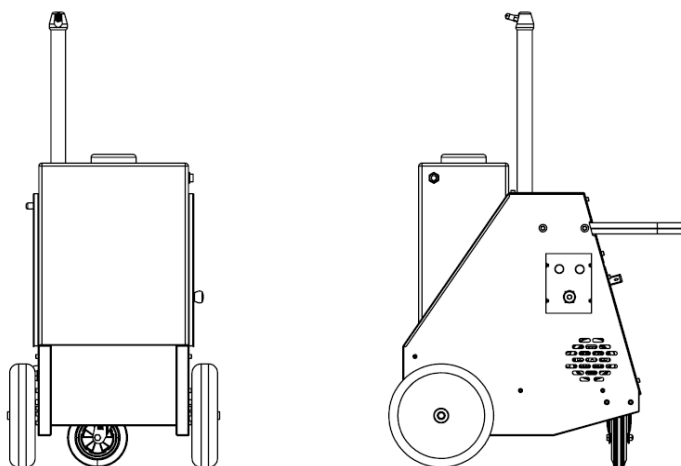
MMT	
Mast Mist Distance (No Wind)	4-6 M (13-20Ft)
Hose Mist Distance (No Wind)	6 M Long x 4M Deep
Surface coverage M ² (ft ²)	40 M ² (430 ft ²)
Water Consumption Lpm (gpm)	2 Lpm (0.5 gpm)
Applications Indoor	Demolition strip out dust suppression
Applications Outdoor	Odour control and stone drilling or cutting dust
Average Water Droplet Size μ	50 micron

MMT SPECIFICATION

	MMT-110V	MMT-120	MMT-240
Engine / Voltage / Frequency	110V 50Hz	110V 60Hz	220V 50 Hz
Current Consumption	16 Amps	20 Amps	13 Amps
Power Connection	16 A CEEFORM	30A Nema	16 A CEEFORM
Pump Motor Kw	0.75	0.75	0.75
Dimensions mm (inch)	920L x 700W x 1550H (36"x 28"x 61")		
Weight Kg (Lbs)	Empty 45 KG (100 Lbs)		
Number of Nozzles	1-mast / 4-hose line		
Water Supply Connection	3/4" Garden Type QRC		
Required Water Pressure / min flow	2-5 bar / 5 Lpm		
Water quality	Potable / Filtered		
Operating Temperature	+2°C - 50°C		

STANDARD EQUIPMENT

- Mobile heavy duty frame with 300mm puncture proof wheels
- Electric control panel with motor overload protection
- 6 metre supply lead and plug
- Mist nozzles c/w filters
- High pressure protection on water pump
- 100 Ltr (26 USG) water tank
- Manual adjustable height mast with pin position lock 1.5 - 2M



 **DUSTQUIP**

t/a INTERQUIP INT LTD

Quercus Court, Armstrong way

Yate, Bristol BS37 5NG

Tel:01454 513000 - info@dustquip.com

WWW.DUSTQUIP.COM