

The **JETMISTER** is a revolutionary dust suppression bowser that will solve most construction and demolition site dust issues. 1 100 Ltr (250 G) Water skid tank that can easily be positioned to tackle the dust. 10 to 30 metre throw powered by either a diesel engine or an electric pressure pump with a 45° or 90° auto oscillating jet nozzle on a tilting mast.

JM35 PERFORMANCE

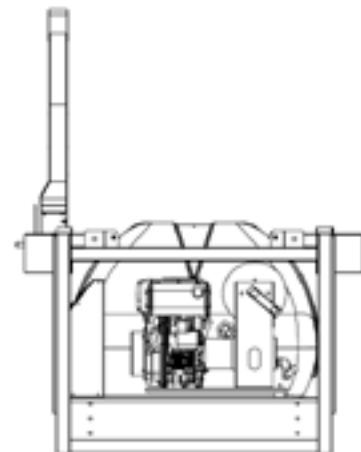
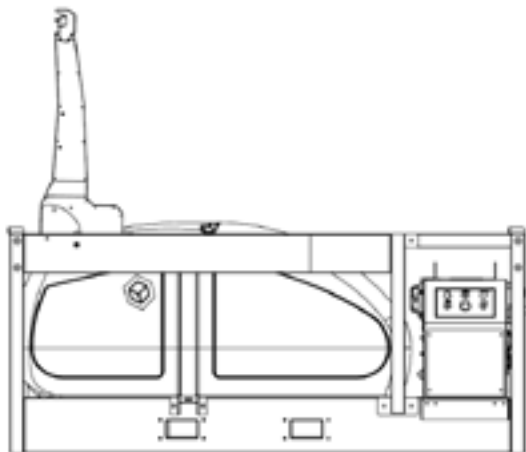
JMST35	
Mist Distance M (Ft) (no wind)	25-30 M (80-100 Ft)
Surface coverage M ² (ft ²)	500 M ² (5300 ft ²)
Water Consumption Lpm (gpm)	25-40 Lpm (110 - 178 gpm)
Applications Indoor	Wood chip wetting and stone ballast dust suppression
Applications Outdoor	Demolition, stone ballast dust suppression
Average Water Droplet Size μ	180 micron

JMST35 SPECIFICATION

	JMST35-D	JMST35-E
Engine / Voltage / Frequency	Diesel Yamar	415V 50Hz
Current Consumption	N/A	13 Amps
Power Connection	N/A	16 A CEEFORM
Pump Motor Kw	10	7.5
Dimensions mm	L 2270 x W 1495 x H 1020	
Weight Kg (Lbs)	Empty KG (Lbs)	
Number of Nozzles	1	
Vertical Tilt Angle	0° - +45°	
Oscillation	45° - 90°	
Water Supply Connection	3/4" Claw Coupling	
Required Water Pressure / min flow	2.5 bar / 40 Lpm	
Water quality	Potable / Filtered	
Operating Temperature	+2°C - 50°C	

STANDARD EQUIPMENT

- Skid water bowser 1100 ltr capacity
- Electric control panel with electric motor overload protection
- Dry run protection
- 6 metre supply lead and plug (JMRT35-E)
- Quick release coupler with 10 M pressure wash hose and lance.
- 0°, 45° and 90° auto oscillation
- Inlet filter
- Electric start (JMRT35-D)



 **DUSTQUIP**

t/a INTERQUIP INT LTD

Quercus Court, Armstrong way

Yate, Bristol BS37 5NG

Tel:01454 513000 - info@dustquip.com

WWW.DUSTQUIP.COM